



## Part Number: D4C3136Y-4K

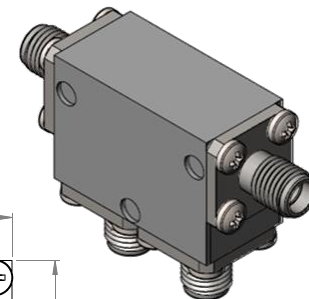
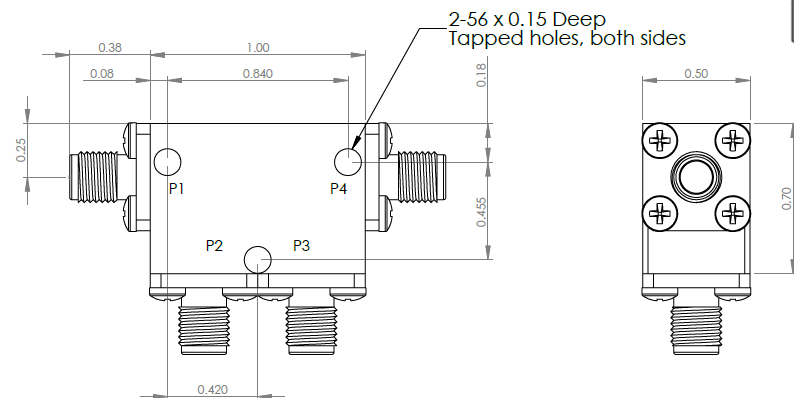
### Electrical Specifications

Frequency Range (GHz):	31.75 – 36.35
Isolation (dB):	16 MIN (per junction)
Insertion Loss (dB):	0.6 MAX (per junction)
Return Loss (dB):	16 MIN (per junction)
Forward Power (W):	10 AVG 30 PK

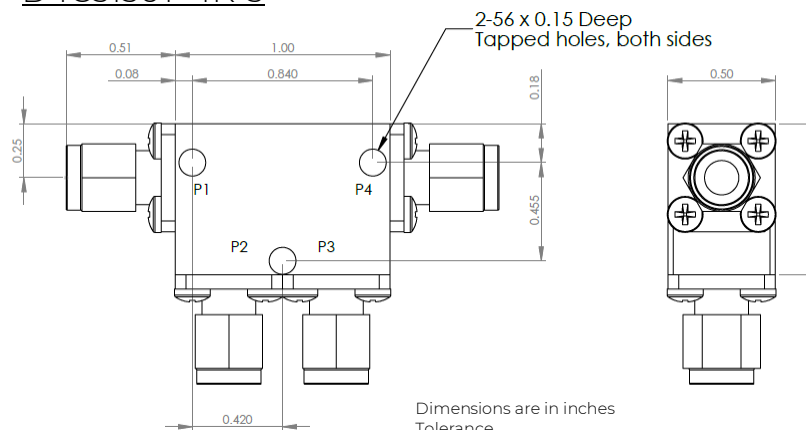
### Mechanical/Environmental Specifications

Connector Type:	K (2.92mm)
Connector Body:	Passivated stainless steel
Connector Pin:	Gold plated copper
Load Body:	Brass
Magnetic Shunt:	Nickel plated CRS
Optimized Temperature:	< 4K
Weight (oz)	2.0 MAX

D4C3136Y-4K



D4C3136Y-4K-3



Dimensions are in inches  
Tolerance  
XX ±0.03  
XXX ±0.010

Type of Device	PN Suffix	Connector Configuration Port 1 / Port 2 / Port 3 / Port 4	PN Example
Dual Junction Circulator 4-Port Device	No Dash	Female / Female / Female / Female	D4C3136Y-4K
	-1	Male / Female / Female / Female	D4C3136Y-4K-1
	-2	Female / Male / Female / Female	D4C3136Y-4K-2
	-3	Male / Male / Male / Male	D4C3136Y-4K-3
	-4	Female / Female / Male / Female	D4C3136Y-4K-4
Port 1 / Port 2 / Port 3 / Port 4	-5	Female / Female / Female / Male	D4C3136Y-4K-5



## MEASURED DATA

Part Number: D4C3136Y-4K, P4→P1, P2 & P3 Terminated with 50Ω, Measured at 4K

