



Part Number: D4C1013Y-4K

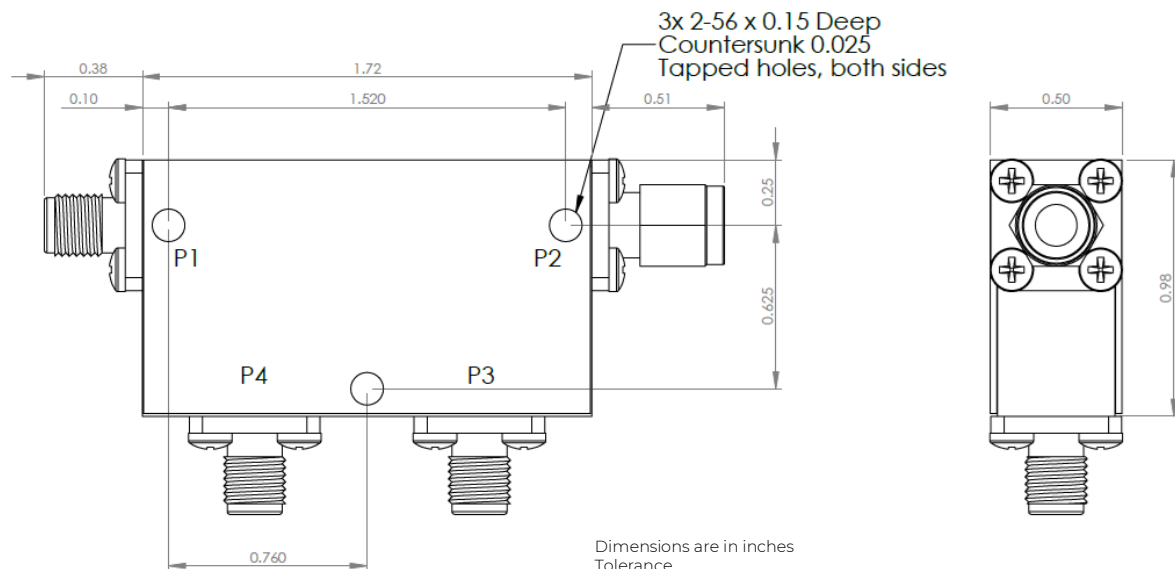
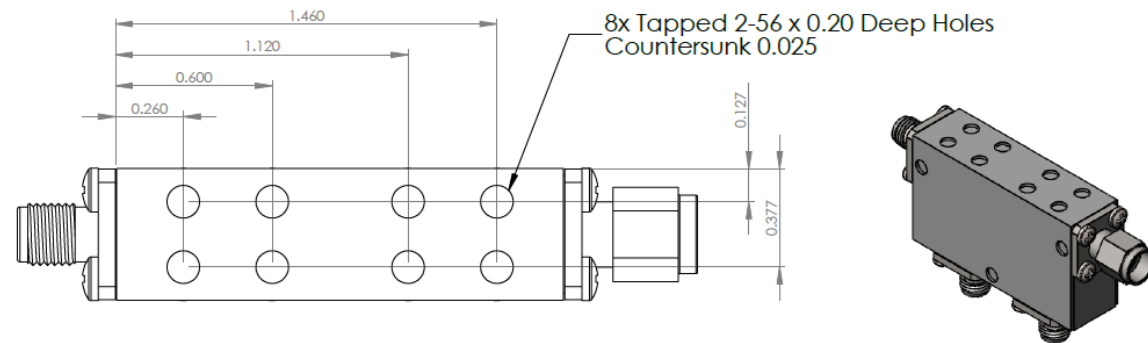
Electrical Specifications

Frequency Range (GHz): 10.3 – 12.6  
 Isolation (dB): 30 MIN (per junction)  
 Insertion Loss (dB): 0.2 MAX (per junction)  
 Return Loss (dB): 20 MIN (per junction)  
 Forward Power (W): 25 AVG  
 500 PK

Mechanical/Environmental Specifications

Connector Type: SMA  
 Connector Body: Passivated stainless steel  
 Connector Pin: Gold plated copper  
 Magnetic Shunt: Nickel plated CRS  
 Optimized Temperature: < 4K  
 Weight (oz) 4.0 MAX

D4C1013Y-4K-2 Dimensions



Dimensions are in inches  
 Tolerance  
 XX ±0.03  
 XXX ±0.010

Type of Device	PN Suffix	Connector Configuration Port 1 / Port 2 / Port 3 / Port 4	PN Example
Dual Junction Circulator 4-Port Device	No Dash	Female / Female / Female / Female	D4C1013Y-4K
	-1	Male / Female / Female / Female	D4C1013Y-4K-1
	-2	Female / Male / Female / Female	D4C1013Y-4K-2
	-3	Male / Male / Male / Male	D4C1013Y-4K-3
	-4	Female / Female / Male / Female	D4C1013Y-4K-4
Port 1 / Port 2 / Port 3 / Port 4	-5	Female / Female / Female / Male	D4C1013Y-4K-5



## MEASURED DATA

Part Number: D4C1013Y-4K, P1→P2, P3 & P4 Terminated with 50Ω, Measured at 4K

