



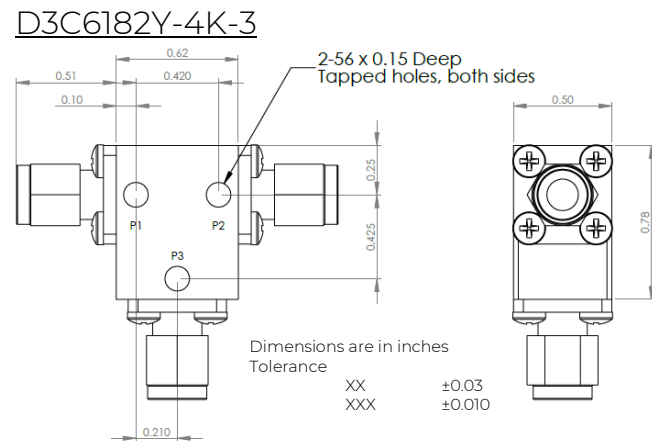
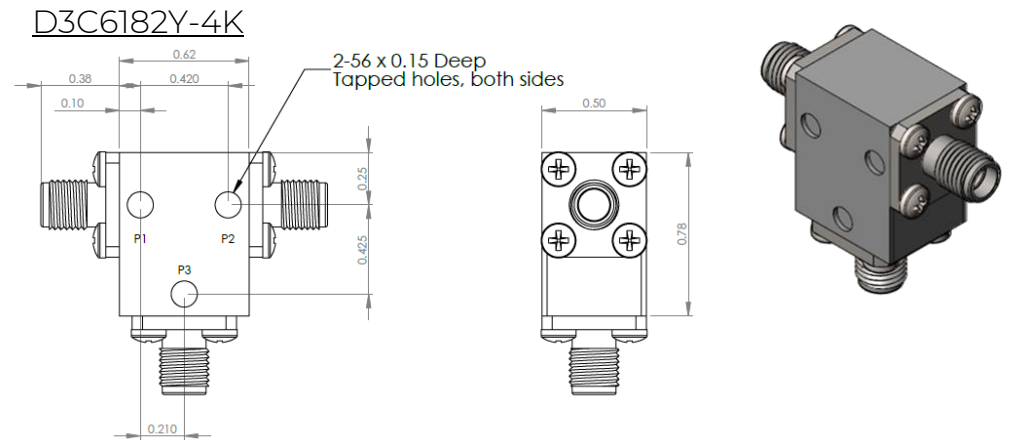
Part Number: D3C6182Y-4K

Electrical Specifications

Frequency Range (GHz):	6.1 – 8.2	
Isolation (dB):	22	MIN
Insertion Loss (dB):	0.5	MAX
Return Loss (dB):	16	MIN
Forward Power (W):	20	AVG
	30	PK

Mechanical/Environmental Specifications

Connector Type:	SMA
Connector Body:	Passivated stainless steel
Connector Pin:	Gold plated copper
Magnetic Shunt:	Nickel plated CRS
Optimized Temperature:	< 4K
Weight (oz)	1.0 MAX



Type of Device	PN Suffix	Connector Configuration Input/Output	PN Example
Single Junction Circulator 3-Port Device Port 1 / Port 2 / Port 3	No Dash	Female / Female / Female	D3C6182Y-4K
	-1	Male / Female / Female	D3C6182Y-4K-1
	-2	Female / Male / Female	D3C6182Y-4K-2
	-3	Male / Male / Male	D3C6182Y-4K-3
	-4	Female / Female / Male	D3C6182Y-4K-4
	-5	Male / Female / Male	D3C6182Y-4K-5
	-6	Male / Male / Female	D3C6182Y-4K-6
	-7	Female / Male / Male	D3C6182Y-4K-7



MEASURED DATA

Part Number: D3C6182Y-4K, P1→P2, P3 Terminated with 50Ω, Measured at 4K

