



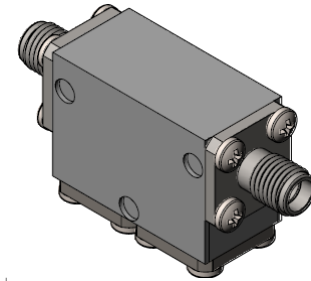
## Part Number: D4I1112

### Electrical Specifications

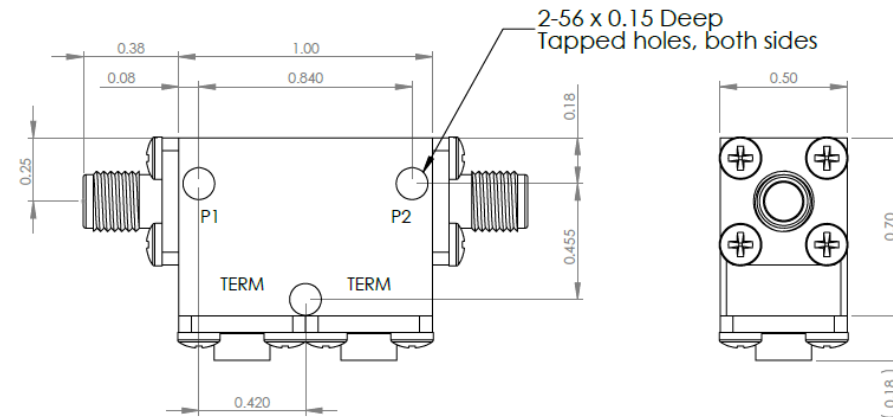
Frequency Range (GHz):	10.7 – 11.7
Isolation (dB):	46 MIN
Insertion Loss (dB):	0.6 MAX
Return Loss (dB):	12:1 MIN
Forward Power (W):	10 AVG 30 PK
Reflective Power (W):	2 AVG

### Mechanical/Environmental Specifications

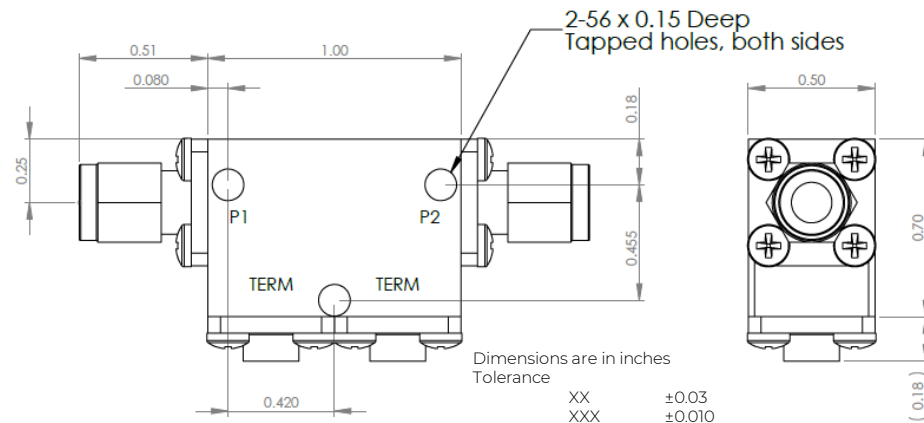
Connector Type:	SMA
Connector Body:	Passivated stainless steel
Connector Pin:	Gold plated copper
Load Body:	Brass
Magnetic Shunt:	Nickel plated CRS
Operational Temp:	-30°C to +65°C
Weight (oz)	2.0 MAX



D4I1112 Dimensions



D4I1112-3 Dimensions



Type of Device	PN Suffix	Connector Configuration Input / Output	PN Example
Single and Dual Junction Isolator, 2-Port Device	N/A	Female / Female	D4I1112
	-1	Male / Female	D4I1112-1
	-2	Female / Male	D4I1112-2
	-3	Male / Male	D4I1112-3



# MEASURED DATA

Part Number: D4I1112, +25°C

