



Part Number: D4I8012Y-4K

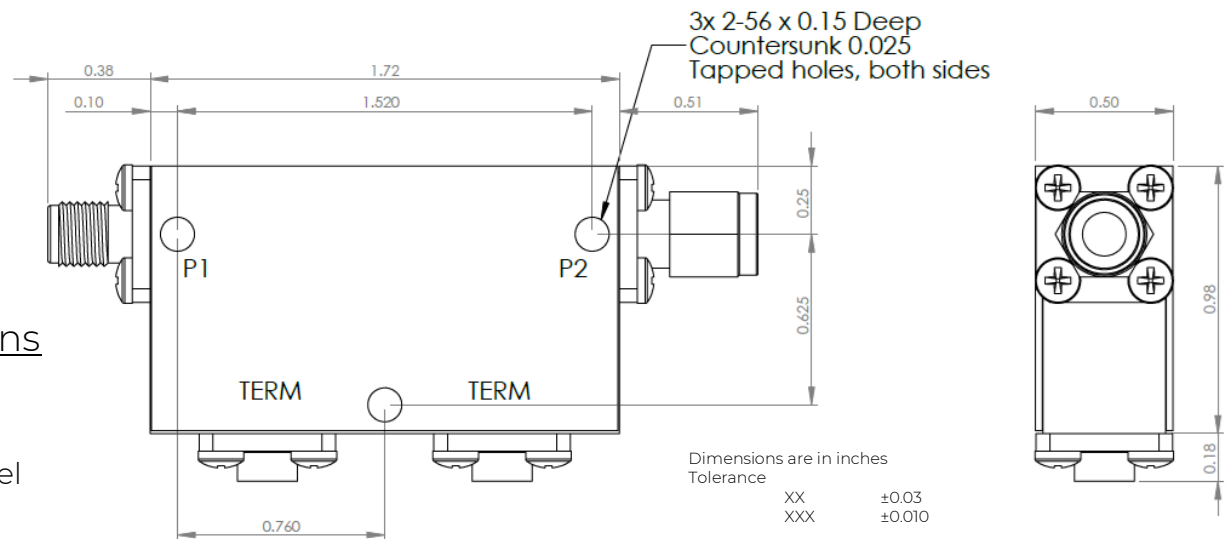
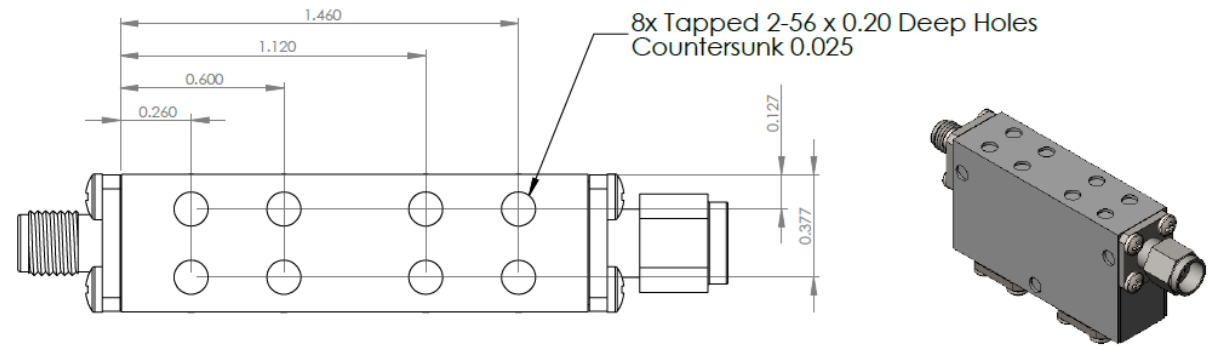
Electrical Specifications

Frequency Range (GHz): 8.0 – 12.0
 Isolation (dB): 40 MIN
 Insertion Loss (dB): 0.7 MAX
 Return Loss (dB): 20 MIN
 Forward Power (W): 25 AVG
 500 PK
 Reflective Power (W): 2 AVG

Mechanical/Environmental Specifications

Connector Type: SMA
 Connector Body: Passivated stainless steel
 Connector Pin: Gold plated copper
 Load Body: Brass
 Magnetic Shunt: Nickel plated CRS
 Optimized Temperature: < 4K
 Weight (oz) 4.0 MAX

D4I8012Y-4K-2



Type of Device	PN Suffix	Connector Configuration Port 1 / Port 2	PN Example
Single and Dual Junction Isolator, 2-Port Device	N/A	Female / Female	D4I8012Y-4K
	-1	Male / Female	D4I8012Y-4K-1
	-2	Female / Male	D4I8012Y-4K-2
	-3	Male / Male	D4I8012Y-4K-3



MEASURED DATA

Part Number: D4I8012Y-4K, Measured at 4K

