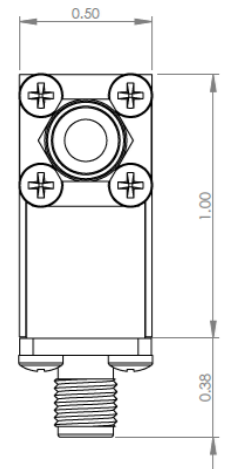
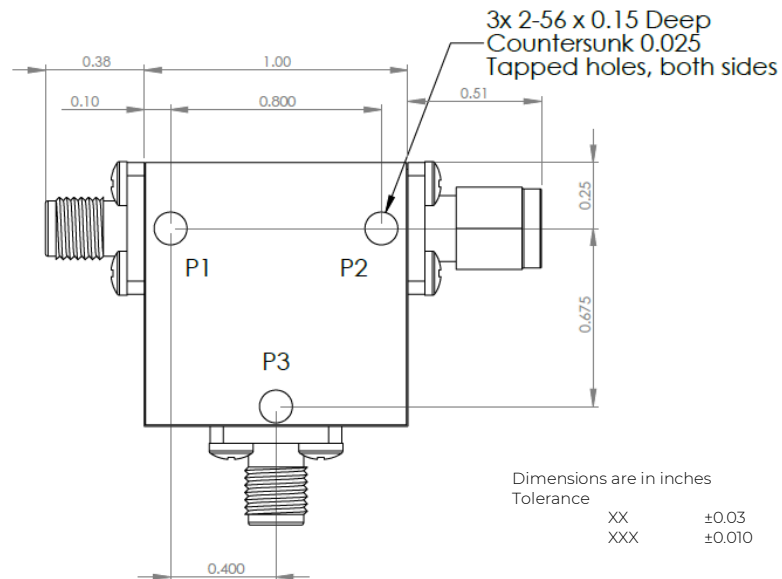
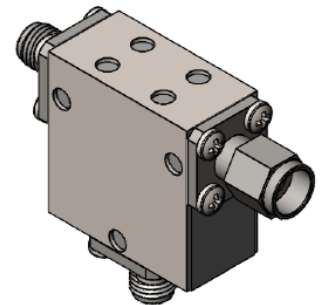
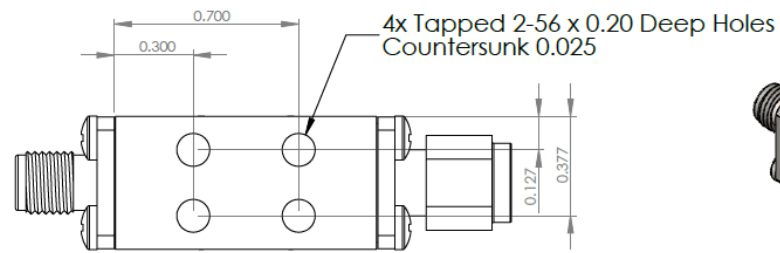




### D3C6282Y-4K-2 Dimensions



Dimensions are in inches  
Tolerance  
XX ±0.03  
XXX ±0.010

Part Number: D3C6282Y-4K

### Electrical Specifications

Frequency Range (GHz):	6.2 – 8.2
Isolation (dB):	28 MIN
Insertion Loss (dB):	0.3 MAX
Return Loss (dB):	24 MIN
Forward Power (W):	20 AVG
	30 PK

### Mechanical/Environmental Specifications

Connector Type:	SMA
Connector Body:	Passivated stainless steel
Connector Pin:	Gold plated copper
Magnetic Shunt:	Nickel plated CRS
Optimized Temperature:	< 4K
Weight (oz)	2.0 MAX

Type of Device	PN Suffix	Connector Configuration Port 1 / Port 2 / Port 3	PN Example
Single Junction Circulator 3-Port Device Port 1 / Port 2 / Port 3	No Dash	Female / Female / Female	D3C6282Y-4K
	-1	Male / Female / Female	D3C6282Y-4K-1
	-2	Female / Male / Female	D3C6282Y-4K-2
	-3	Male / Male / Male	D3C6282Y-4K-3
	-4	Female / Female / Male	D3C6282Y-4K-4
	-5	Male / Female / Male	D3C6282Y-4K-5
	-6	Male / Male / Female	D3C6282Y-4K-6
	-7	Female / Male / Male	D3C6282Y-4K-7



## MEASURED DATA

Part Number: D3C6282Y-4K, P1→P2, P3 Terminated with 50Ω, Measured at 4K

