



## Part Number: D4I8012YMG

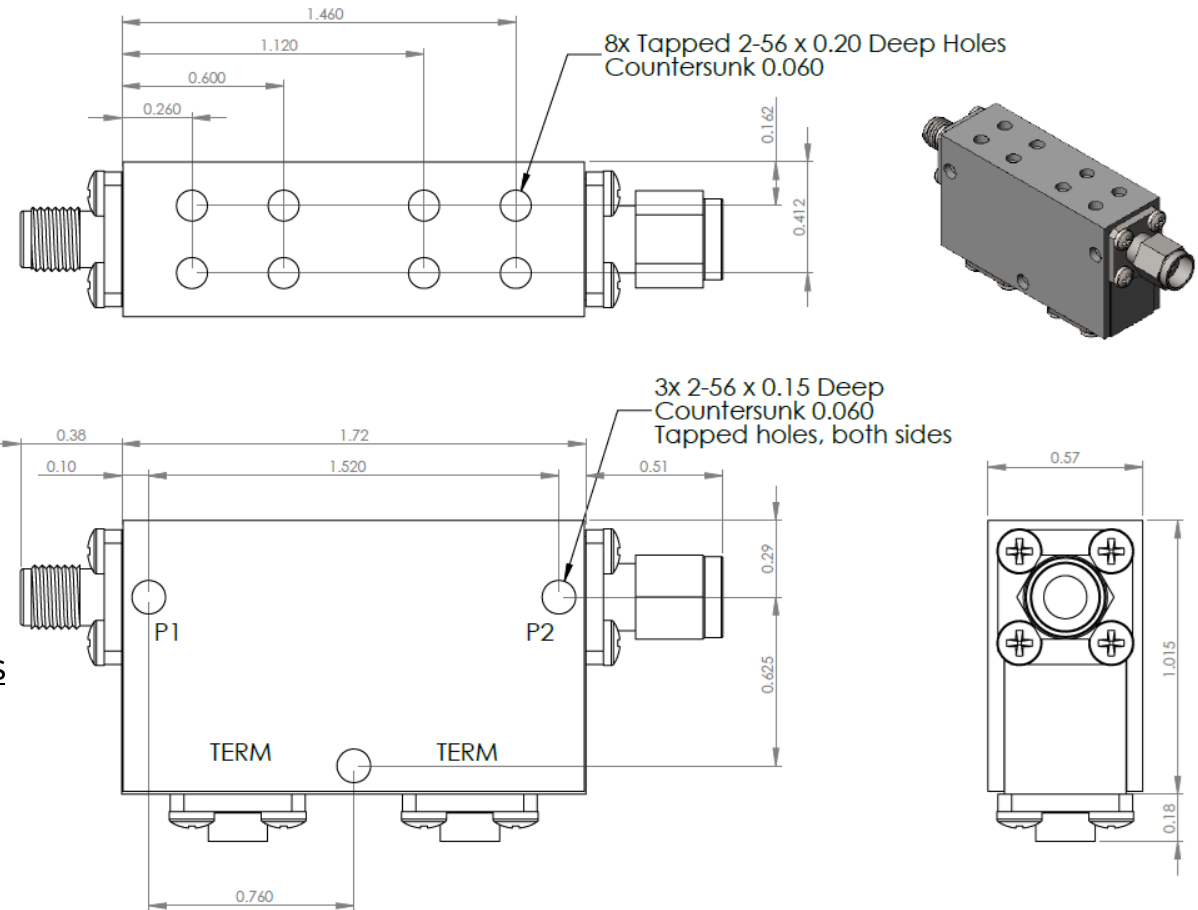
### Electrical Specifications

Frequency Range (GHz):	8.0 – 12.0
Isolation (dB):	40 MIN
Insertion Loss (dB):	1.0 MAX
Return Loss (dB):	20 MIN
Forward Power (W):	25 AVG 500 PK
Reflective Power (W):	2 AVG

### Mechanical/Environmental Specifications

Connector Type:	SMA
Connector Body:	Passivated stainless steel
Connector Pin:	Gold plated copper
Load Body:	Brass
Magnetic Shunt:	Nickel plated CRS
Magnetically Shielded:	Yes
Operational Temp:	< 77K
Weight (oz)	4.0 MAX

### D4I8012YMG-2



Dimensions are in inches  
Tolerance  
XX ±0.03  
XXX ±0.010

Type of Device	PN Suffix	Connector Configuration Input / Output	PN Example
Single and Dual Junction Isolator, 2-Port Device	N/A	Female / Female	D4I8012YMG
	-1	Male / Female	D4I8012YMG-1
	-2	Female / Male	D4I8012YMG-2
	-3	Male / Male	D4I8012YMG-3



# MEASURED DATA

Part Number: D4I8012YMG, Measured at 77K

