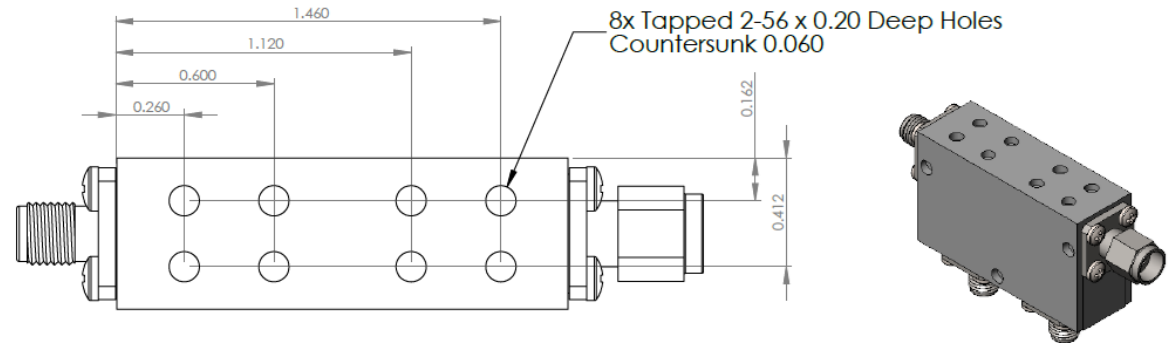




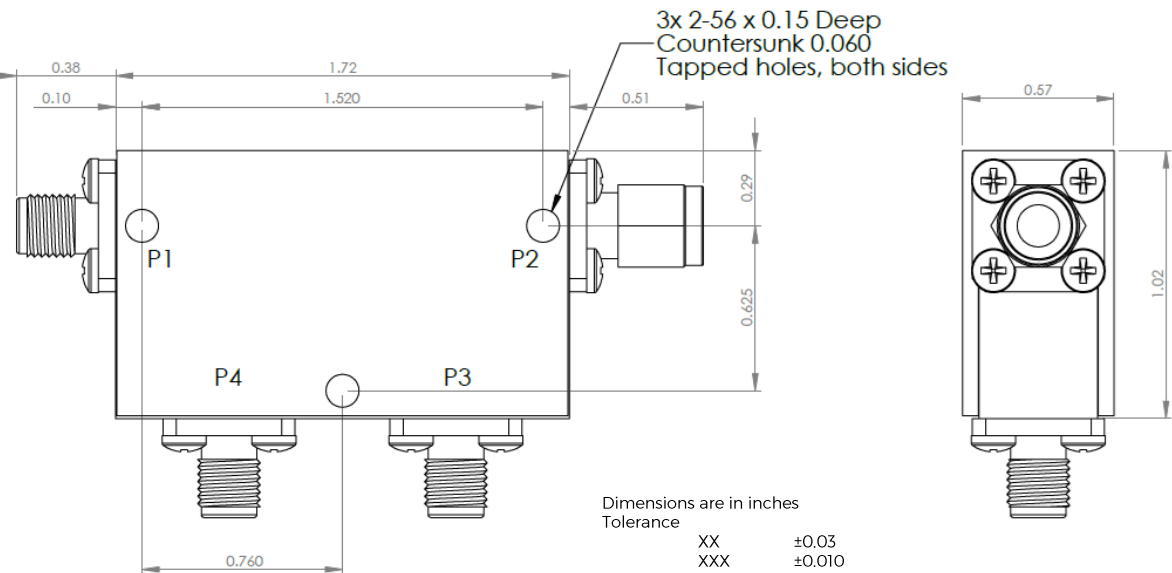
D4C8012YMG-2 Dimensions



Part Number: D4C8012YMG

Electrical Specifications

Frequency Range (GHz):	8.0 – 12.0
Isolation (dB):	20 MIN (per junction)
Insertion Loss (dB):	0.5 MAX (per junction)
Return Loss (dB):	20 MIN (per junction)
Forward Power (W):	25 AVG 500 PK



Mechanical/Environmental Specifications

Connector Type:	SMA
Connector Body:	Passivated stainless steel
Connector Pin:	Gold plated copper
Load Body:	Brass
Magnetic Shunt:	Nickel plated CRS
Magnetically Shielded:	Yes
Operational Temp:	< 77K
Weight (oz)	4.0 MAX

Type of Device	PN Suffix	Connector Configuration Input / Output	PN Example
Dual Junction Circulator 4-Port Device Port 1 / Port 2 / Port 3 / Port 4	No Dash	Female / Female / Female / Female	D4C8012YMG
	-1	Male / Female / Female / Female	D4C8012YMG-1
	-2	Female / Male / Female / Female	D4C8012YMG-2
	-3	Male / Male / Male / Male	D4C8012YMG-3
	-4	Female / Female / Male / Female	D4C8012YMG-4
	-5	Female / Female / Female / Male	D4C8012YMG-5



MEASURED DATA

Part Number: D4C8012YMG, P1→P2, P3 & P4 Terminated with 50Ω, Measured at 77K

