



Part Number: D4C8012Y

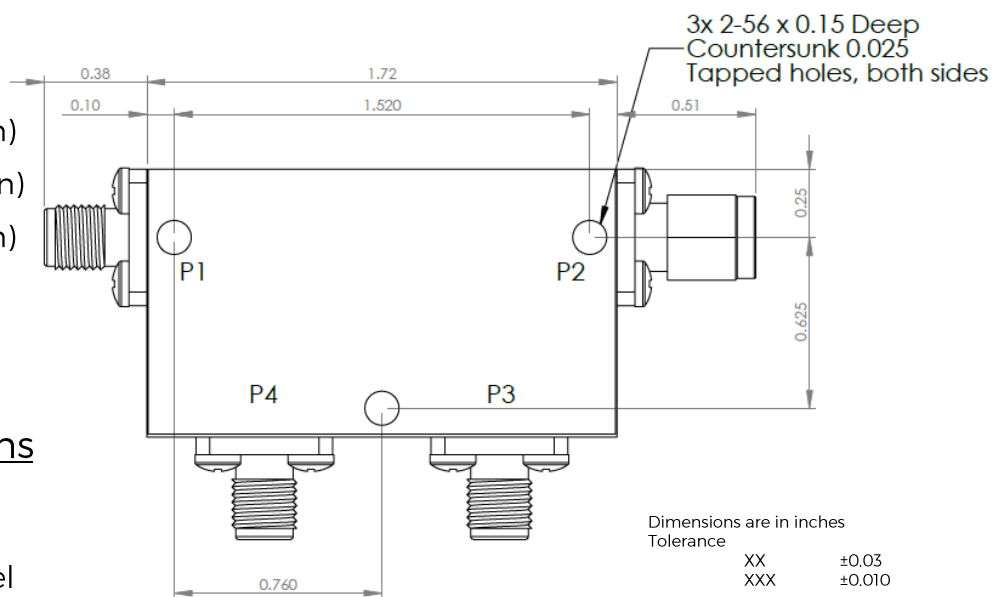
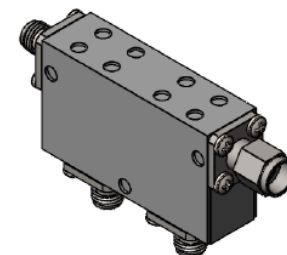
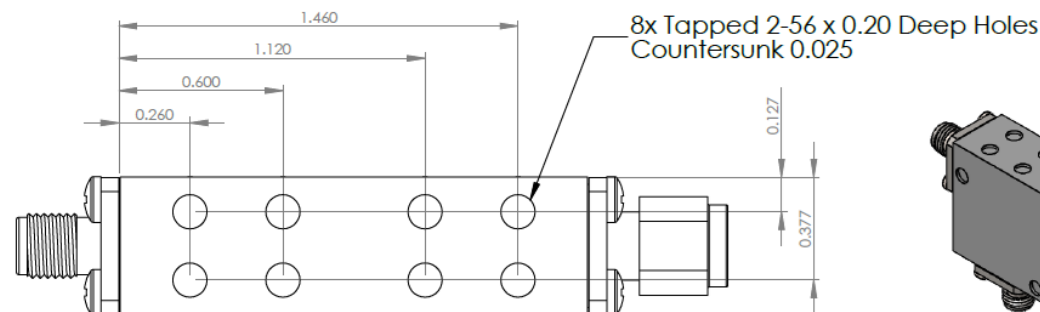
Electrical Specifications

Frequency Range (GHz): 8.0 – 12.0
 Isolation (dB): 20 MIN (per junction)
 Insertion Loss (dB): 0.5 MAX (per junction)
 Return Loss (dB): 20 MIN (per junction)
 Forward Power (W): 25 AVG
 500 PK

Mechanical/Environmental Specifications

Connector Type: SMA
 Connector Body: Passivated stainless steel
 Connector Pin: Gold plated copper
 Load Body: Brass
 Magnetic Shunt: Nickel plated CRS
 Operational Temp: < 77K
 Weight (oz) 4.0 MAX

D4C8012Y-2 Dimensions



Dimensions are in inches
 Tolerance
 XX ±0.03
 XXX ±0.010

Type of Device	PN Suffix	Connector Configuration Input / Output	PN Example
Dual Junction Circulator 4-Port Device Port 1 / Port 2 / Port 3 / Port 4	No Dash	Female / Female / Female / Female	D4C8012Y
	-1	Male / Female / Female / Female	D4C8012Y-1
	-2	Female / Male / Female / Female	D4C8012Y-2
	-3	Male / Male / Male / Male	D4C8012Y-3
	-4	Female / Female / Male / Female	D4C8012Y-4
	-5	Female / Female / Female / Male	D4C8012Y-5



MEASURED DATA

Part Number: D4C8012Y, P1→P2, P3 & P4 Terminated with 50Ω, Measured at 77K

