



## Part Number: D4C4080YMG

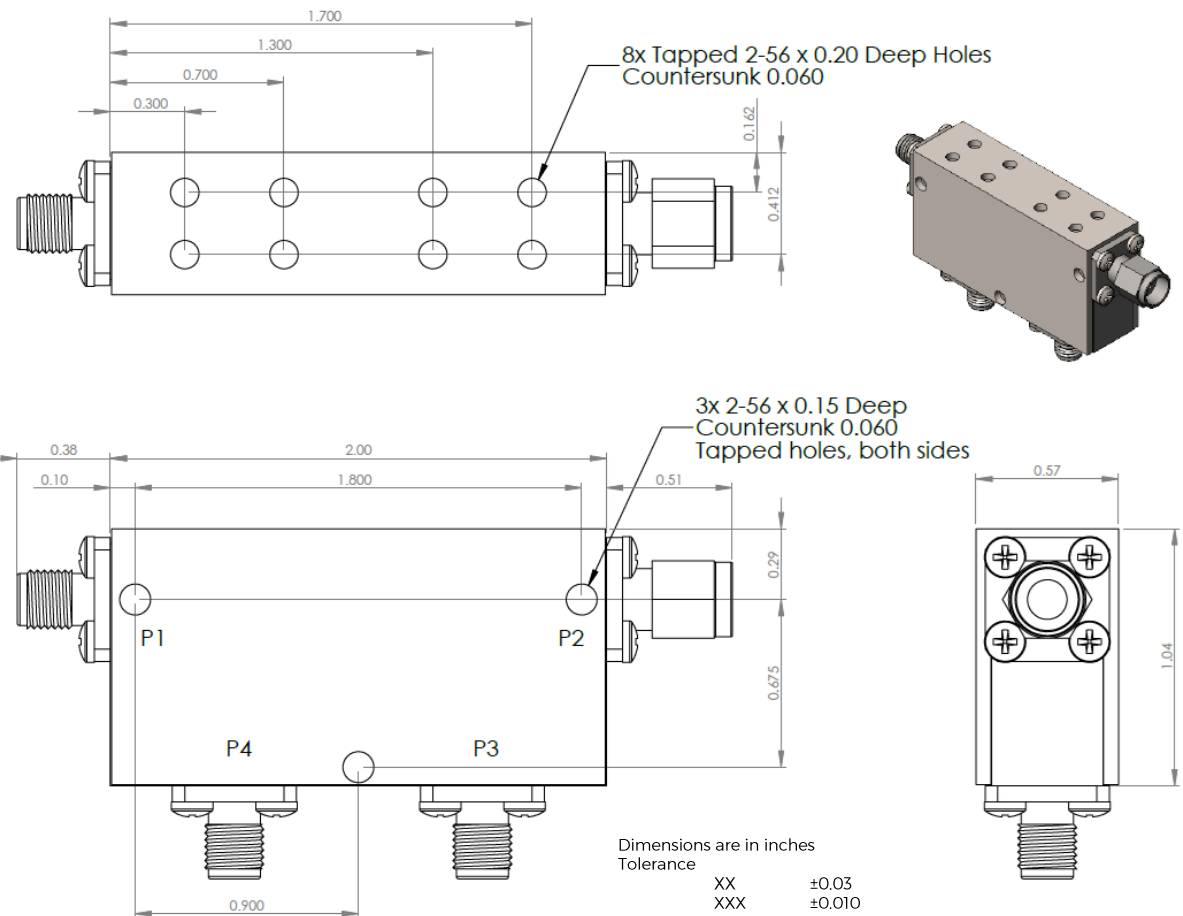
### Electrical Specifications

Frequency Range (GHz):	4.0 – 8.0
Isolation (dB):	16 MIN (per junction)
Insertion Loss (dB):	0.4 MAX (per junction)
Return Loss (dB):	16 MIN (per junction)
Forward Power (W):	20 AVG 30 PK

### Mechanical/Environmental Specifications

Connector Type:	SMA
Connector Body:	Passivated stainless steel
Connector Pin:	Gold plated copper
Load Body:	Brass
Magnetic Shunt:	Nickel plated CRS
Magnetically Shielded:	Yes
Operational Temp:	< 77K
Weight (oz)	4.0 MAX

### D4C4080YMG-2 Dimensions



Type of Device	PN Suffix	Connector Configuration Input / Output	PN Example
Dual Junction Circulator 4-Port Device	No Dash	Female / Female / Female / Female	D4C4080YMG
	-1	Male / Female / Female / Female	D4C4080YMG-1
	-2	Female / Male / Female / Female	D4C4080YMG-2
	-3	Male / Male / Male / Male	D4C4080YMG-3
	-4	Female / Female / Male / Female	D4C4080YMG-4
Port 1 / Port 2 / Port 3 / Port 4	-5	Female / Female / Female / Male	D4C4080YMG-5

## MEASURED DATA

Part Number: D4C4080YMG, P1→P2, P3 & P4 Terminated with 50Ω, Measured at 77K

