



Part Number: D4C4080Y

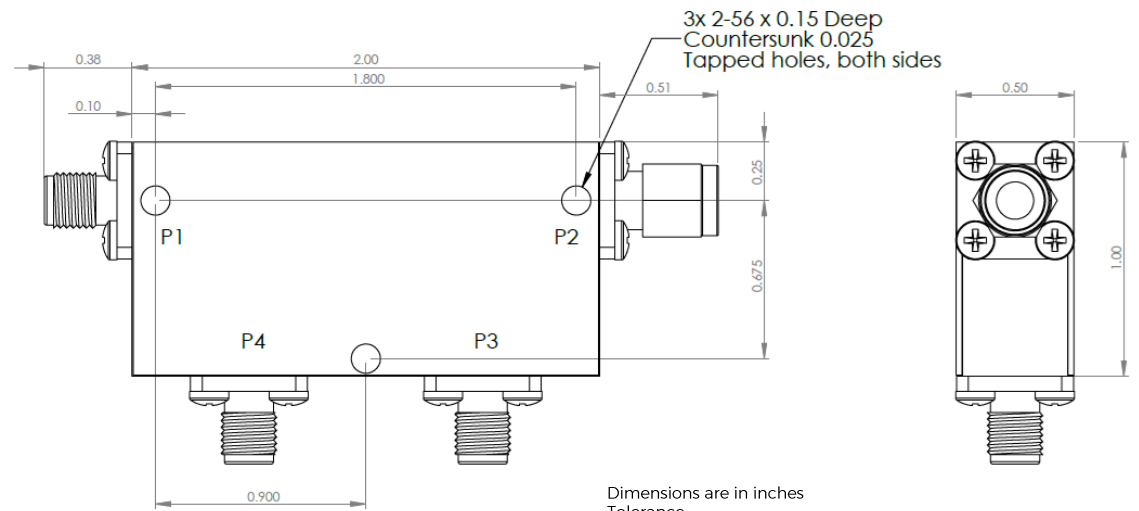
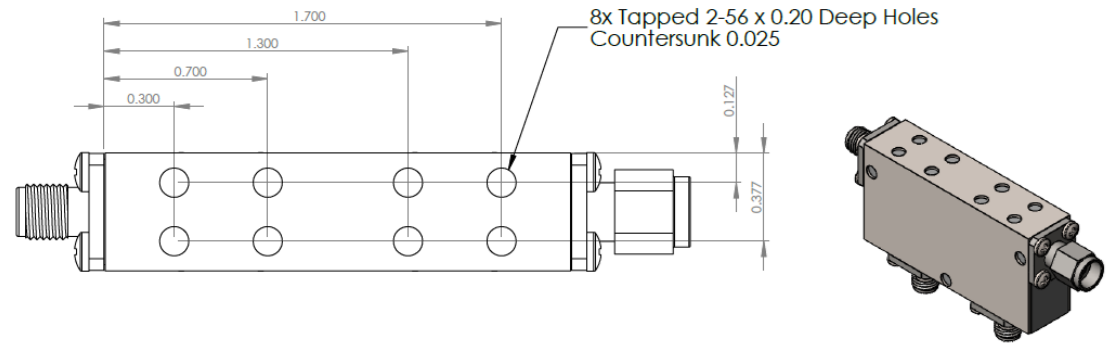
Electrical Specifications

Frequency Range (GHz): 4.0 – 8.0  
 Isolation (dB): 16 MIN (per junction)  
 Insertion Loss (dB): 0.4 MAX (per junction)  
 Return Loss (dB): 16 MIN (per junction)  
 Forward Power (W): 20 AVG  
 30 PK

Mechanical/Environmental Specifications

Connector Type: SMA  
 Connector Body: Passivated stainless steel  
 Connector Pin: Gold plated copper  
 Load Body: Brass  
 Magnetic Shunt: Nickel plated CRS  
 Operational Temp: < 77K  
 Weight (oz) 4.0 MAX

D4C4080Y-2 Dimensions



Dimensions are in inches  
 Tolerance  
 XX ±0.03  
 XXX ±0.010

Type of Device	PN Suffix	Connector Configuration Input / Output	PN Example
Dual Junction Circulator 4-Port Device Port 1 / Port 2 / Port 3 / Port 4	No Dash	Female / Female / Female / Female	D4C4080Y
	-1	Male / Female / Female / Female	D4C4080Y-1
	-2	Female / Male / Female / Female	D4C4080Y-2
	-3	Male / Male / Male / Male	D4C4080Y-3
	-4	Female / Female / Male / Female	D4C4080Y-4
	-5	Female / Female / Female / Male	D4C4080Y-5



## MEASURED DATA

Part Number: D4C4080Y, P1→P2, P3 & P4 Terminated with 50Ω, Measured at 77K

