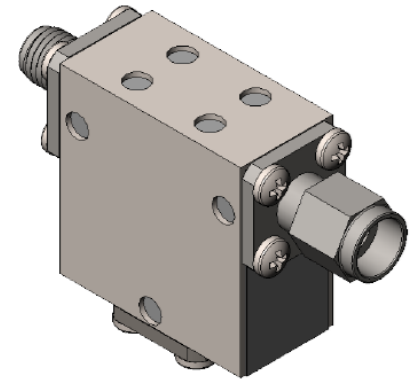
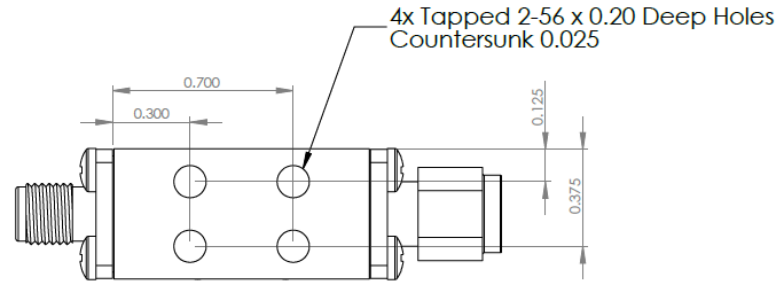




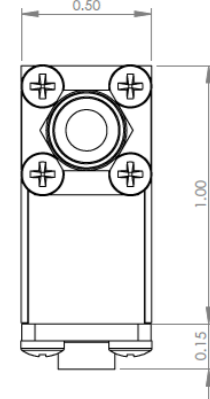
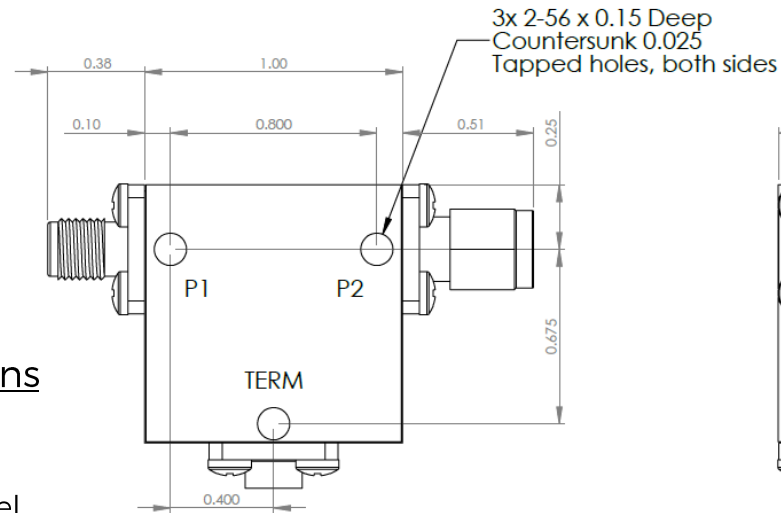
D3I4080Y-2 Dimensions



Part Number: D3I4080Y

Electrical Specifications

Frequency Range (GHz):	4.0 – 8.0
Isolation (dB):	16 MIN
Insertion Loss (dB):	0.4 MAX
Return Loss (dB):	16 MIN
Forward Power (W):	30 AVG 50 PK
Reflective Power (W):	2 AVG



Mechanical/Environmental Specifications

Connector Type:	SMA
Connector Body:	Passivated stainless steel
Connector Pin:	Gold plated copper
Load Body:	Brass
Magnetic Shunt:	Nickel plated CRS
Operational Temp:	< 77K
Weight (oz)	2.0 MAX

Dimensions are in inches
Tolerance

XX	±0.03
XXX	±0.010

Type of Device	PN Suffix	Connector Configuration Input / Output	PN Example
Single and Dual Junction Isolator, 2-Port Device	N/A	Female / Female	D3I4080Y
	-1	Male / Female	D3I4080Y-1
	-2	Female / Male	D3I4080Y-2
	-3	Male / Male	D3I4080Y-3



MEASURED DATA

Part Number: D3I4080Y, Measured at 77K

