



Part Number: D4I4012YMG

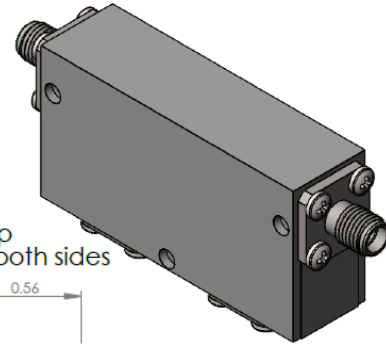
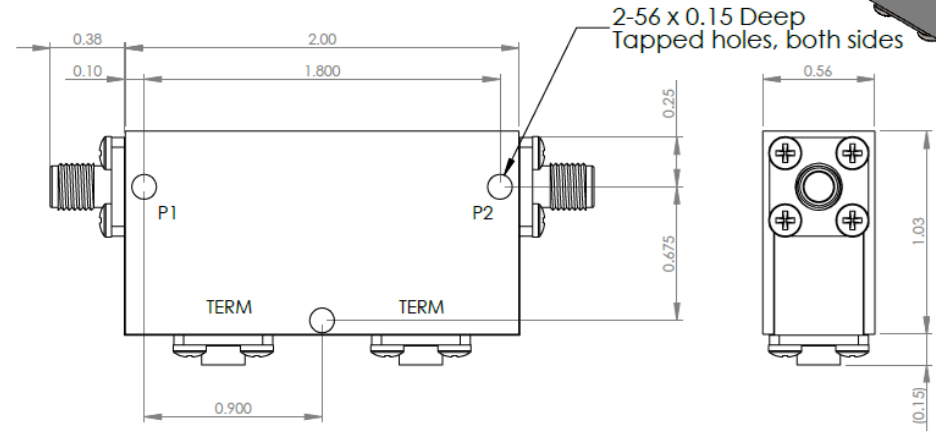
Electrical Specifications

Frequency Range (GHz):	4.0 – 12.0
Isolation (dB):	24 MIN
Insertion Loss (dB):	2.0 MAX
Return Loss (dB):	12 MIN
Forward Power (W):	20 AVG 30 PK
Reflective Power (W):	2 AVG

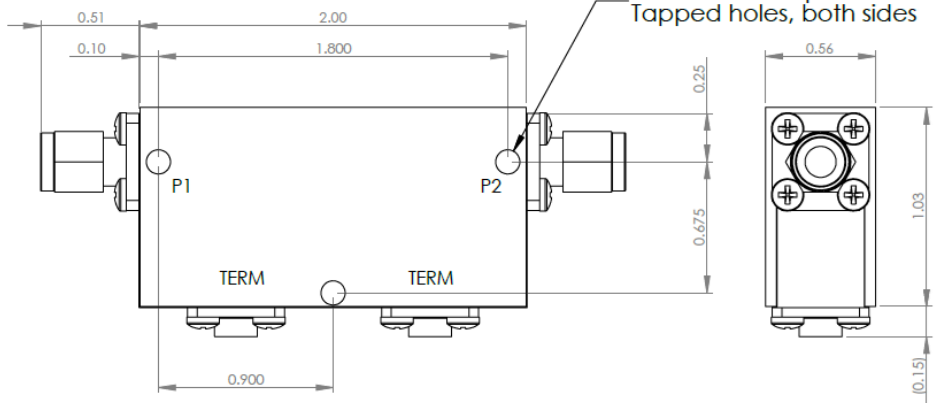
Mechanical/Environmental Specifications

Connector Type:	SMA
Connector Body:	Passivated stainless steel
Connector Pin:	Gold plated copper
Load Body:	Brass
Magnetic Shunt:	Nickel plated CRS
Magnetically Shielded:	Yes
Operational Temp:	< 77K
Weight (oz)	4.0 MAX

D4I4012YMG



D4I4012YMG-3



Dimensions are in inches
Tolerance

XX	±0.03
XXX	±0.010

Type of Device	PN Suffix	Connector Configuration Input / Output	PN Example
Single and Dual Junction Isolator, 2-Port Device	N/A	Female / Female	D4I4012YMG
	-1	Male / Female	D4I4012YMG-1
	-2	Female / Male	D4I4012YMG-2
	-3	Male / Male	D4I4012YMG-3



MEASURED DATA

Part Number: D4I4012YMG, Measured at 77K

