



## Part Number: D3C4012YMG

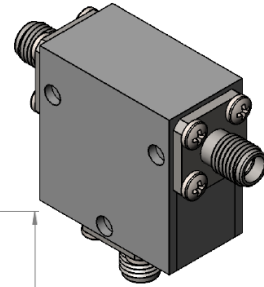
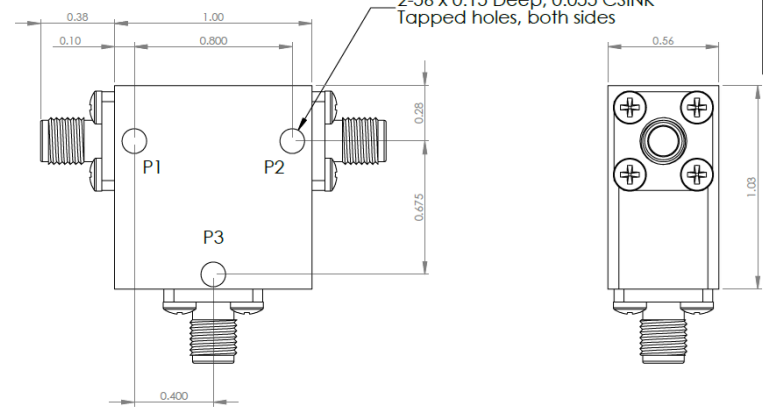
### Electrical Specifications

Frequency Range (GHz):	4.0 – 12.0
Isolation (dB):	12 MIN
Insertion Loss (dB):	1.0 MAX
Return Loss (dB):	12 MIN
Forward Power (W):	20 AVG 30 PK

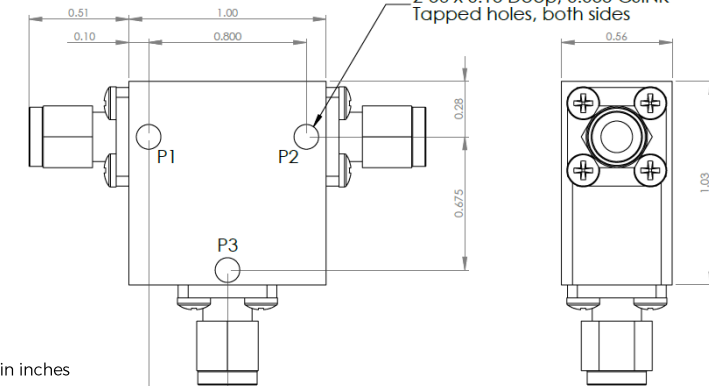
### Mechanical/Environmental Specifications

Connector Type:	SMA
Connector Body:	Passivated stainless steel
Connector Pin:	Gold plated copper
Load Body:	Brass
Magnetic Shunt:	Nickel plated CRS
Operational Temp:	< 77K
Weight (oz)	2.0 MAX

**D3C4012YMG**



**D3C4012YMG-3**



Dimensions are in inches  
Tolerance

XX ±0.03  
XXX ±0.010

Type of Device	PN Suffix	Connector Configuration Input / Output	PN Example
Single Junction Circulator 3-Port Device	No Dash	Female / Female / Female	D3C4012YMG
	-1	Male / Female / Female	D3C4012YMG-1
	-2	Female / Male / Female	D3C4012YMG-2
	-3	Male / Male / Male	D3C4012YMG-3
	-4	Female / Female / Male	D3C4012YMG-4
	-5	Male / Female / Male	D3C4012YMG-5
	-6	Male / Male / Female	D3C4012YMG-6
Port 1 / Port 2 / Port 3	-7	Female / Male / Male	D3C4012YMG-7



## MEASURED DATA

Part Number: D3C4012YMG, P1→P2, P3 Terminated with 50Ω, Measured at 77K

