



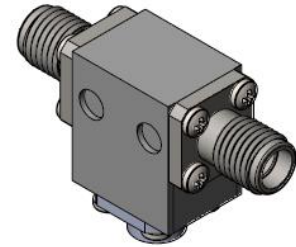
Part Number: DHI6018

Electrical Specifications

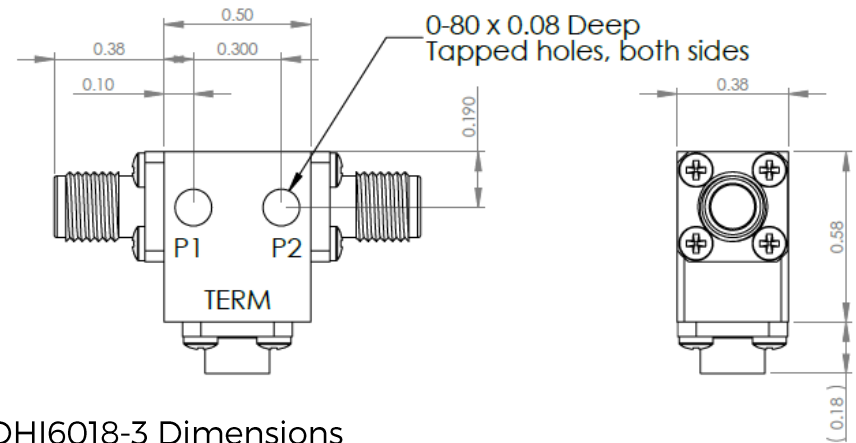
Frequency Range (GHz):	6.0 – 18.0
Isolation (dB):	14 MIN
Insertion Loss (dB):	1.0 MAX
VSWR:	1.5:1 MIN
Forward Power (W):	20 AVG 25 PK
Reflective Power (W):	2 AVG

Mechanical/Environmental Specifications

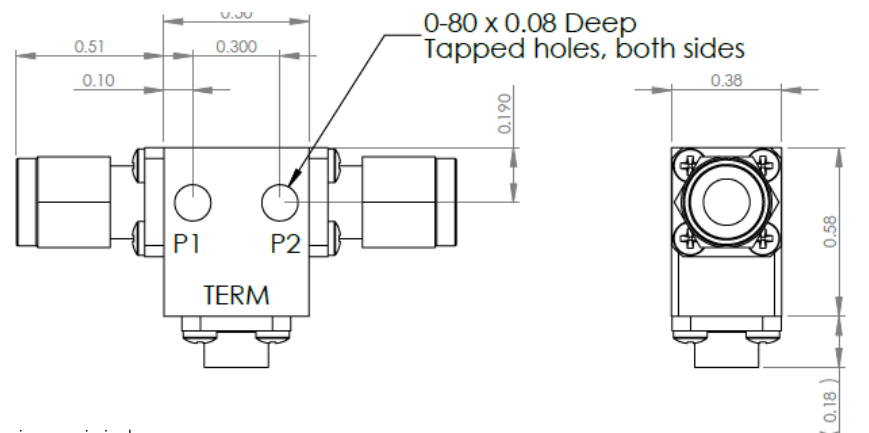
Connector Type:	SMA
Connector Body:	Passivated stainless steel
Connector Pin:	Gold plated copper
Load Body:	Brass
Magnetic Shunt:	Nickel plated CRS
External Coating:	Epoxy
Operational Temp:	-20°C to +85°C
Weight (oz):	0.5 MAX
Humidity:	> 95% RH
Vibration:	50grms
Shock:	20g pk
Altitude:	> 50kft
Screening Test:	Non-Operational Thermal Cycles
ATP:	Operational thermal cycling



DHI6018 Dimensions



DHI6018-3 Dimensions



Dimensions are in inches
Tolerance

XX	±0.03
XXX	±0.010

Type of Device	PN Suffix	Connector Configuration Input / Output	PN Example
Single Junction Isolator 2-Port Device	N/A	Female / Female	DHI6018
	-1	Male / Female	DHI6018-1
	-2	Female / Male	DHI6018-2
	-3	Male / Male	DHI6018-3



MEASURED DATA

Part Number: DHI6018, +25°C

