



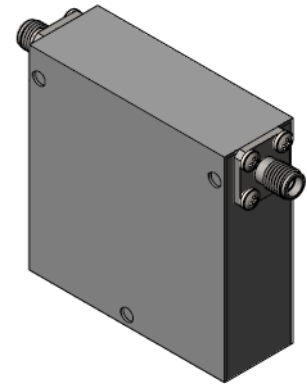
Part Number: D3I1727

Electrical Specifications

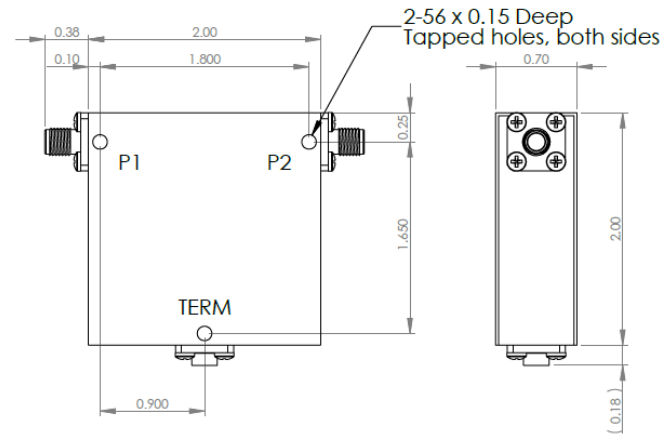
Frequency Range (GHz):	1.7 – 2.7
Isolation (dB):	20 MIN
Insertion Loss (dB):	0.5 MAX
VSWR:	1.3:1 MIN
Forward Power (W):	30 AVG 50 PK
Reflective Power (W):	2 AVG

Mechanical/Environmental Specifications

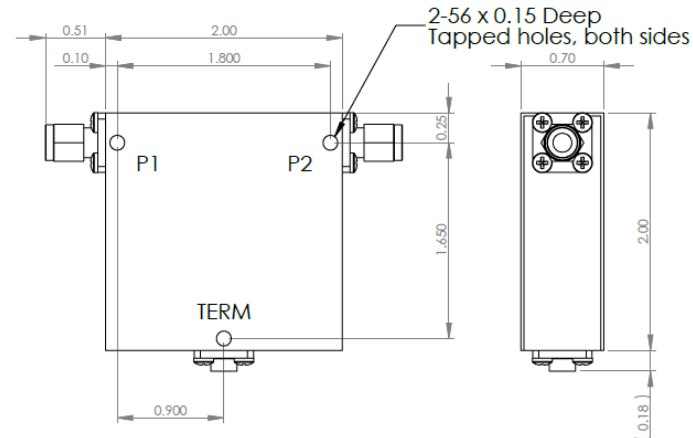
Connector Type:	SMA
Connector Body:	Passivated stainless steel
Connector Pin:	Gold plated copper
Load Body:	Brass
Magnetic Shunt:	Nickel plated CRS
Operational Temp:	0°C to +70°C
Weight (oz)	5.5 MAX



D3I1727 Dimensions



D3I1727-3 Dimensions



Dimensions are in inches
Tolerance

XX ±0.03
XXX ±0.010

Type of Device	PN Suffix	Connector Configuration Input / Output	PN Example
Single and Dual Junction Isolator, 2-Port Device Input / Output	N/A	Female / Female	D3I1727
	-1	Male / Female	D3I1727-1
	-2	Female / Male	D3I1727-2
	-3	Male / Male	D3I1727-3



MEASURED DATA

Part Number: D3I1727, +25°C

