



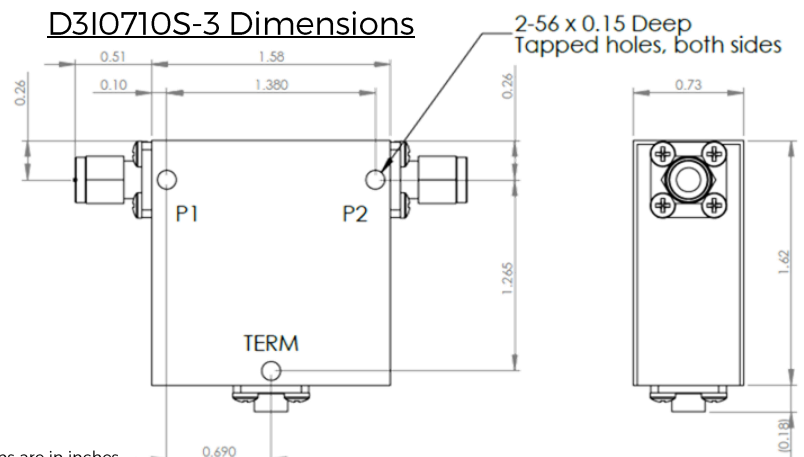
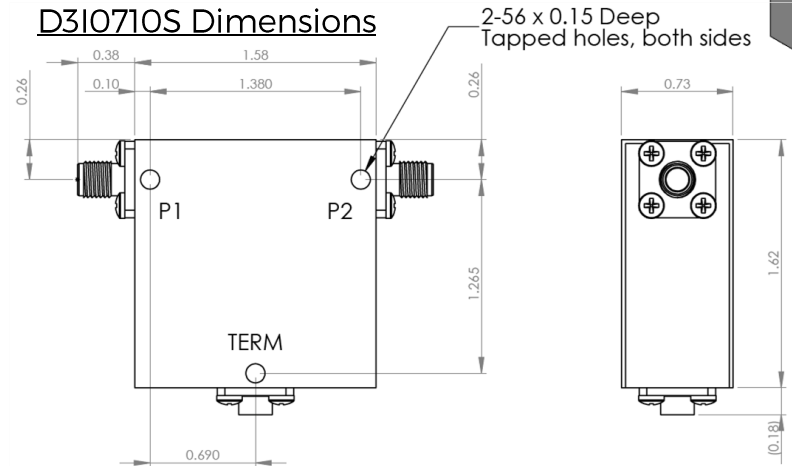
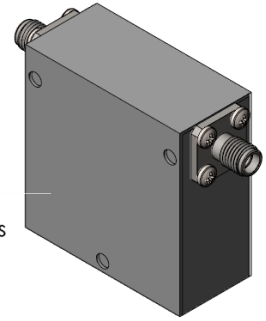
## Part Number: D3I0710S

### Electrical Specifications

Frequency Range (GHz):	0.698 – 1.000
Isolation (dB):	16 MIN
Insertion Loss (dB):	0.6 MAX
VSWR:	1.40:1 MIN
Forward Power (W):	300 AVG 750 PK
Reflective Power (W):	10 AVG

### Mechanical/Environmental Specifications

Connector Type:	SMA
Connector Body:	Passivated stainless steel
Connector Pin:	Gold plated copper
Load Body:	Brass
Magnetic Shunt:	Nickel plated CRS
Operational Temp:	-20°C to +65°C
Weight (oz)	5.5 MAX



Dimensions are in inches  
Tolerance  
XX ±0.03  
XXX ±0.010

Type of Device	PN Suffix	Connector Configuration Input / Output	PN Example
Single and Dual Junction Isolator, 2-Port Device  Input / Output	N/A	Female / Female	D3I0710S
	-1	Male / Female	D3I0710S-1
	-2	Female / Male	D3I0710S-2
	-3	Male / Male	D3I0710S-3



# MEASURED DATA

Part Number: D3I0710S, +25°C

